



## Model

**TURBO 200 USW1 T - MIX FLOW FAN**

## Description

200mm inline mix flow duct fan, 2 speed exterior switching, adjustable run on-timer (2-30) minutes and 1.2m 4 pin power cord

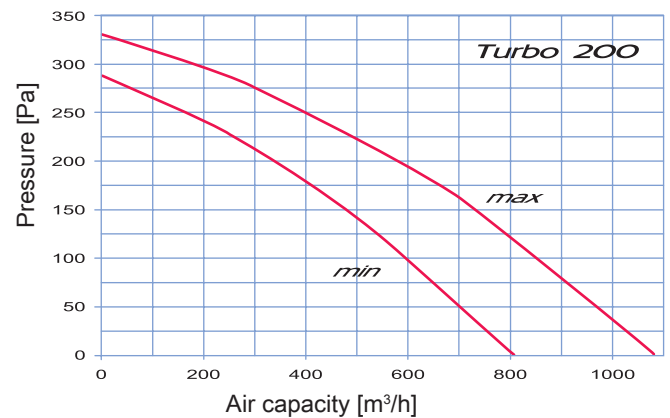
## Application

Kitchens / Bathrooms / laundries / Commerical / Industrial

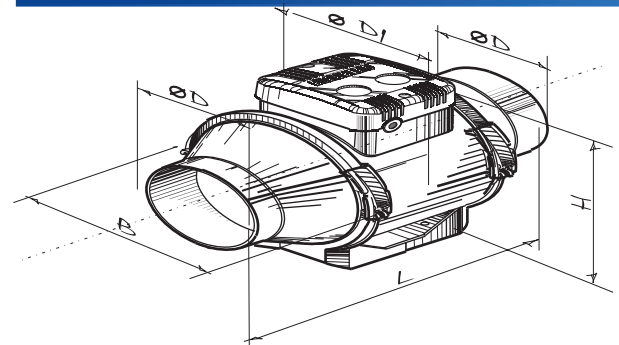
## Technical specification

Voltage [V/50 Hz]	220-240 AC
Power [W]	76-108
Current [A]	0.34-0.48
Extract capacity [m <sup>3</sup> /h]	805-1080
Noise level 3m [dBA]	44-52
r.p.m.	1915-2380
Installation type	Inline duct
Installation position	Any
DN (diameter nominal) [mm]	200
Air flow temperature [°C]	-20 - +60
Index of protection	IP X4
Internal thermal protection	Manual reset
Colour	Blauberg Grey
Casing material	Polyproplene
Warranty	5 years

## Characteristic curve



## Dimensions [mm]



## Type

## Dimensions [mm]

Type	d	d1	b	h	l
Turbo 200 USW1 T	199	209	239	261	296

## Sound power levels

Sound pressure level	Octave-frequency band [Hz]								
	Gen	63	125	250	500	1000	2000	4000	8000
LwA to inlet, dBA	75	51	51	60	69	69	76	66	57
LwA to outlet, dBA	76	53	58	60	67	69	72	67	56
LwA to environment, dBA	62	47	47	43	55	60	55	51	38

Ventilation Solutions Australia (VSA) is not responsible for mistakes or printing errors and retain the right to make technical modifications without giving prior notice.

Email: [info@ventilationsolutions.com.au](mailto:info@ventilationsolutions.com.au)  
 Phone: 1300 998 326

