



## Model

**CENTRO 150 W1 - CENTRIFUGAL FAN**

## Description

150mm inline centrifugal duct fan, 1.2m power cord

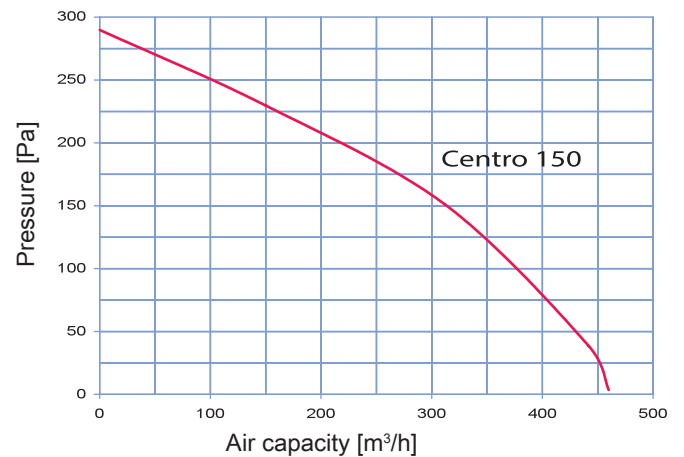
## Application

Kitchens / Commercial / Apartments / Carparks / Industrial

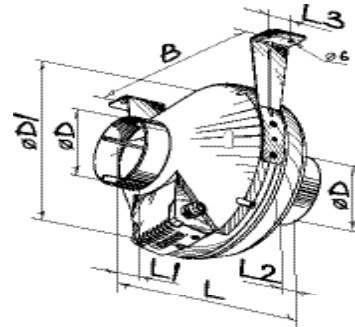
## Technical specification

Voltage [V/50 Hz]	220-240 AC
Power [W]	80
Current [A]	0.35
Extract capacity [m <sup>3</sup> /h]	460
Noise level 3m [dBA]	46
r.p.m.	2725
Installation type	Inline duct
Installation position	Any
DN (diameter nominal) [mm]	150
Air flow temperature [°C]	-25 - +55
Index of protection	IP X4
Internal thermal protection	Manual reset
Colour	Blauberg grey
Casing material	ABS plastic
Warranty	5 years

## Characteristic curve



## Dimensions [mm]



Type	Dimensions [mm]				
	d	d1	l	b	l1, 2, 3
Centro 150 W1	150	300	286	310	30

## Sound power levels

Sound pressure level	Octave-frequency band [Hz]								
	Gen	63	125	250	500	1000	2000	4000	8000
LwA to inlet, dBA	70	43	63	62	65	63	60	50	38
LwA to outlet, dBA	76	44	69	63	71	65	64	54	41
LwA to environment, dBA	62	40	62	53	35	17	15	29	23

Ventilation Solutions Australia (VSA) is not responsible for mistakes or printing errors and retain the right to make technical modifications without giving prior notice.

Email: [info@ventilationsolutions.com.au](mailto:info@ventilationsolutions.com.au)  
 Phone: 1300 998 326

